

목록

sp15000c3_datasheet.....	1
sp15000c3_dimension.....	2

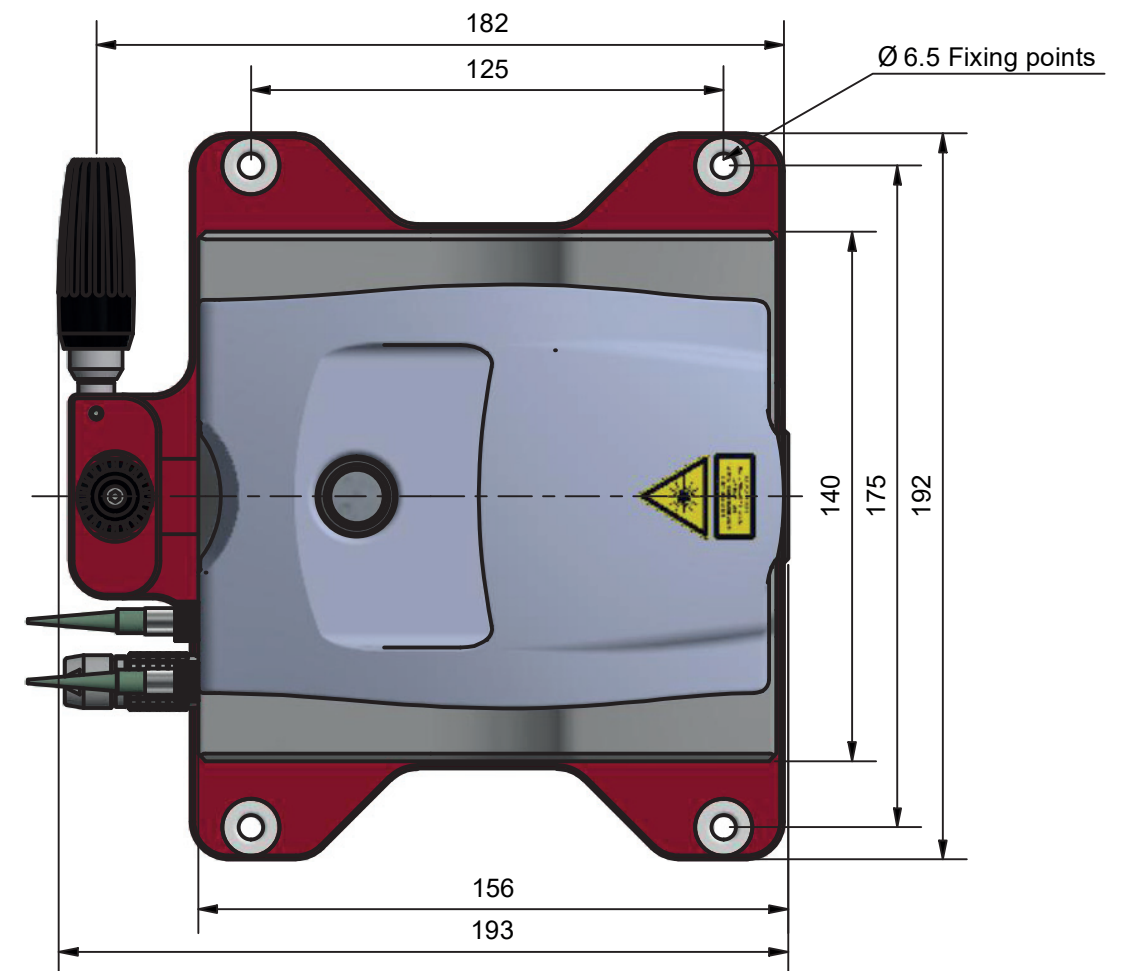
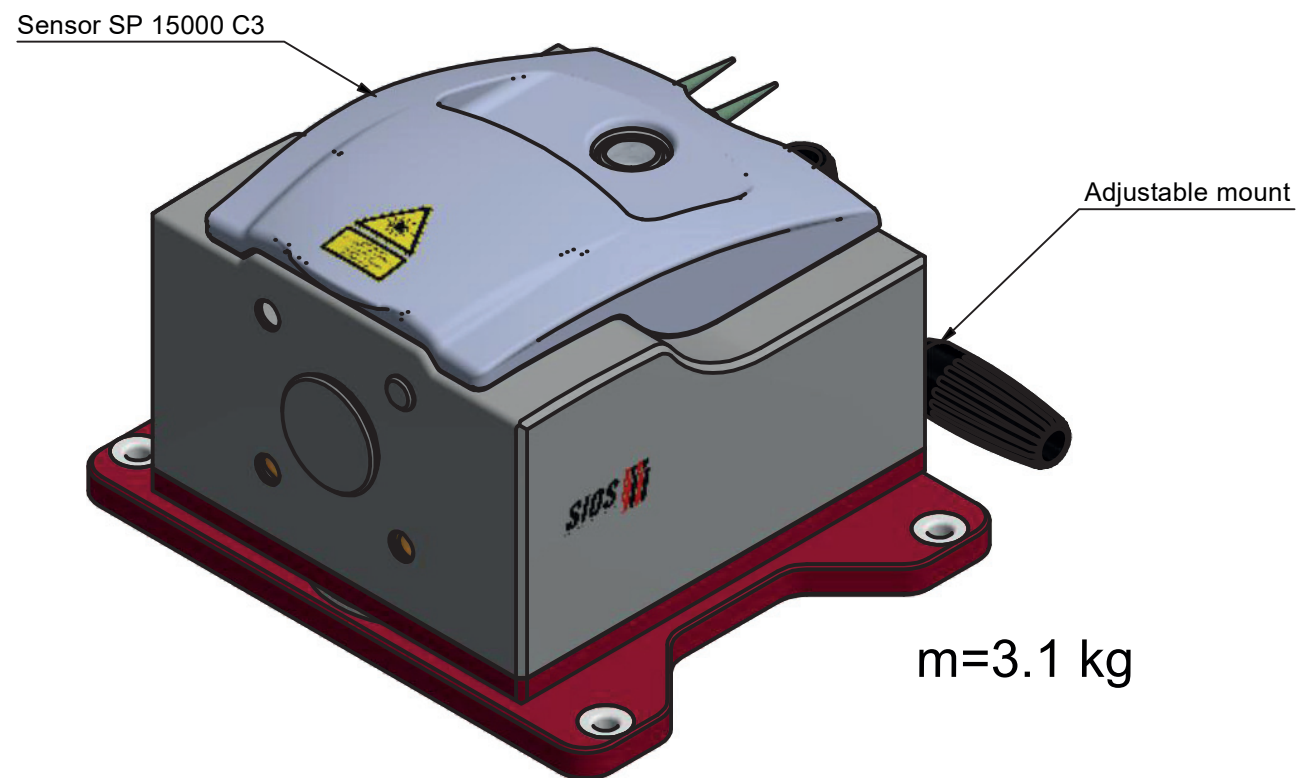
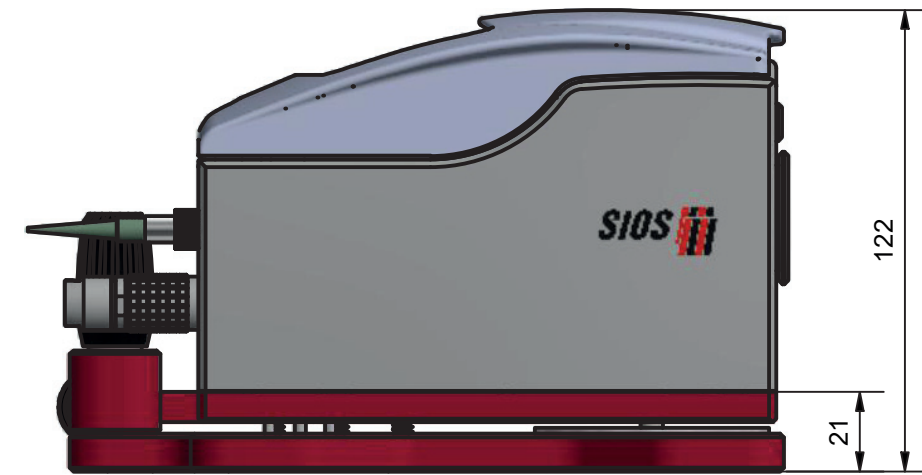
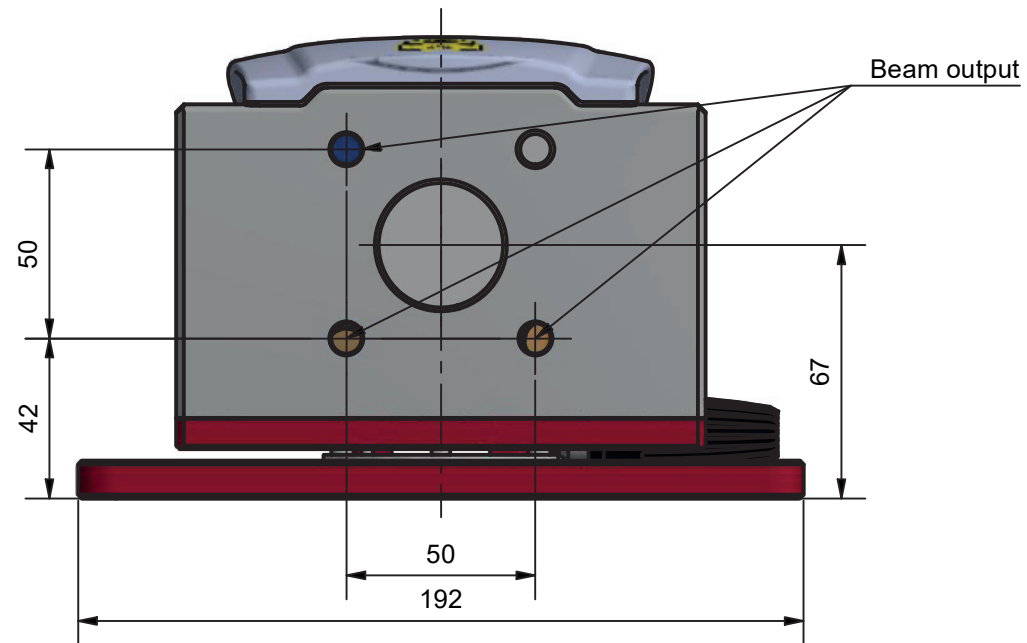
System parameter	SP 15000 C3
Length measurement:	
Measuring range (on request up to 50 m)	15 m
Resolution	<1 nm
Angle measurement:	
Measuring ranges of pitch and yaw angles	±5°
Resolution	0.004 µrad*
Roll angle measurement (optional with RAS 175 W):	
Measuring range	±1°
Resolution	0.2 arcsec
Measuring uncertainty under stable conditions:	
Length measurement	±0.1 ppm
Angle measurement	±0.04 % ± 0.009 arcsec
Roll angle measurement	±0.5 arcsec ±0.5% (19°C – 21°C) ±0.5 arcsec ±1.5% (15°C – 25°C)
Beam distance (horizontal and vertical)	50 mm
Wavelength	632.8 nm
Frequency stability of the HeNe laser	2·10 ⁻⁸
Warm-up time of the HeNe laser	20 min
Operating temperature range	15...30°C
Max. displacement speed of measuring reflector	500 mm/s
Geometric Data	
Dimensions (L x W x H):	
Sensor head with adjustable mount	[192 x 192 x 122] mm
Reflector unit	[104 x 56 x 104] mm / [74 x 50 x 74] mm
Electronic evaluation and supply unit EU	[450 x 450 x 150] mm
Roll angle sensor RAS 175 W (optional)	[74 x 54 x 77] mm
Mass:	
Sensor head with adjustable mount	3.4 kg
Reflector unit	850 g
Electronic evaluation and supply unit EU	9.4 kg
Roll angle sensor RAS 175 W (optional)	425 g
Electrical Data	
Interfaces Standard	USB
other interfaces on request (/R)	
Cable length sensor head - electronics unit	6 m, optionally up to 10 m
Power supply	100...240 VAC / 47...63 Hz
Laser safety class according to EN 60825-1:2014 and ANSI Z136.1 (CDRH)	2M II

*least significant bit (LBS)

05/2023 · Subject to change.

SP 15000 C3 (A030687)

Distance angle measurements



all dimensions in mm

SIOS Meßtechnik GmbH

Am Vogelherd 46 • 98693 Ilmenau/Germany • phone: +49 (0) 3677 64 47-0 • e-mail: contact@sios.de • www.sios-precision.com

SIOS
Meßtechnik GmbH